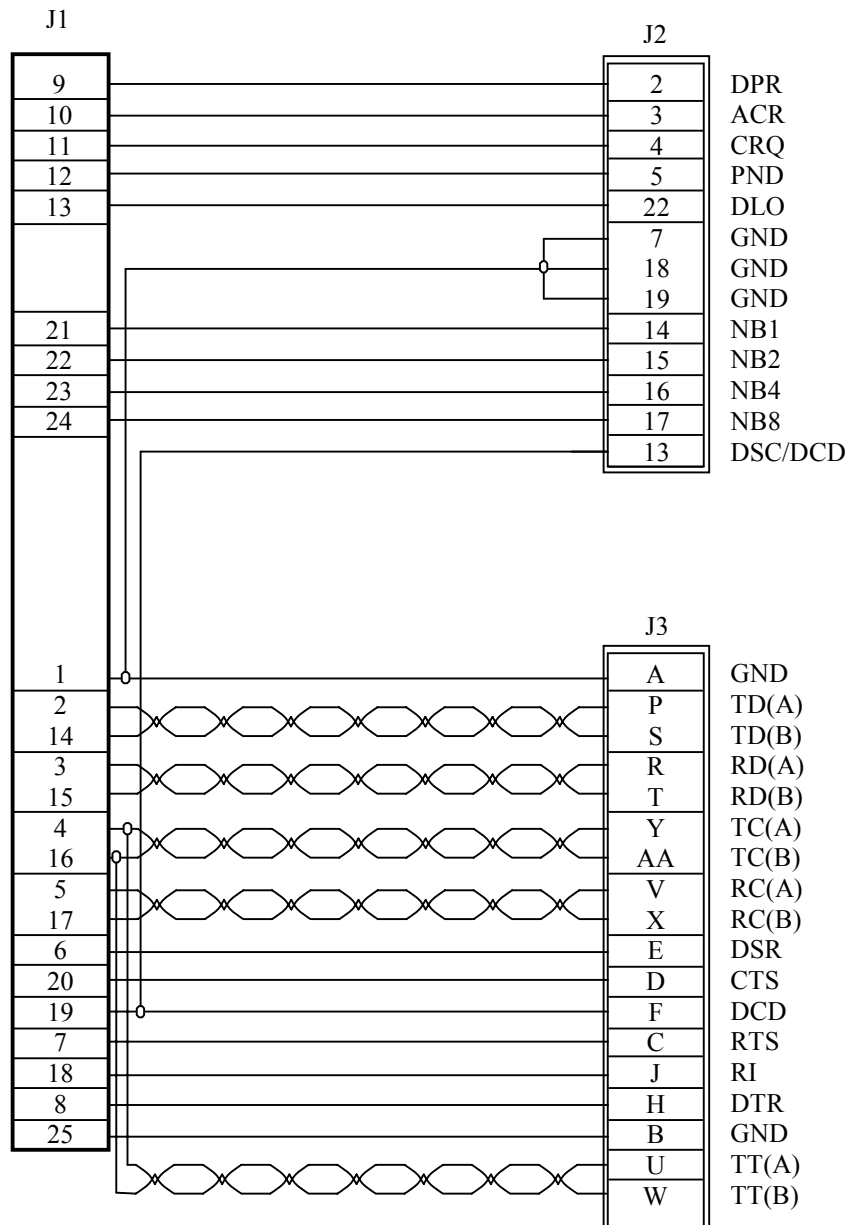


Engineer: R. Washington	Date: 6/11/98	<b>Polycom, Inc.</b> 5000 Plaza on the Lake #200 Austin, Tx. 78746 (512)372-7000	
Draftsman: R. Washington	Date: 6/11/98		
Checker:	Date:		
		Title: <b>Cable, V.35/RS366</b>	
		Dwg. No.: <b>XXX-XXX-XXX</b>	Rev: <b>A</b>
		Scale: none	Sheet 1 of 2



Notes :

- 1) Twisted pair wiring may be used in place of the indicated single conductor wiring.
- 2) All conductors must be a minimum of 22 AWG.

Engineer: R. Washington	Date: 6/11/98	<b>Polycom, Inc.</b> 5000 Plaza on the Lake #200 Austin, Tx. 78746 (512)372-7000	
Draftsman: R. Washington	Date: 6/11/98		
Checker:	Date:		
		Title: <b>Cable, V.35/RS-366</b>	
		Dwg. No.: <b>XXX-XXX-XXX</b>	Rev: <b>A</b>
		Scale: none	Sheet 2 of 2